

**INSTRUCTIONS FOR
OPERATION, SERVICE, AND MAINTENANCE FOR
PG-12, PG-22
POWER LINE MEAT GRINDERS**

**INSTRUCTIONS FOR
OPERATION, SERVICE, AND MAINTENANCE FOR
PG-12, PG-22
POWER LINE MEAT GRINDERS**

INTRODUCTION:

CONGRATULATIONS YOU HAVE ACQUIRED A POWER LINE MEAT GRINDER, WHICH IS MADE OF HIGH QUALITY LONG LASTING MATERIALS THAT SHOULD GIVE YOU YEARS OF TROUBLE FREE OPERATION AND DURABLE SERVICE.

BEFORE YOU UNPACK YOUR NEW POWER LINE GRINDER, **IT IS VITAL THAT YOU AND ANY PERSON THAT WILL OPERATE THIS UNIT THOROUGHLY READ THIS MANUAL.**

WARNINGS:

- **THIS MACHINE IS DESIGNED TO GRIND AND CUT FOOD PRODUCTS AND IS BY NATURE DANGEROUS IF NOT USED AND MAINTAINED PROPERLY FOR OPTIMUM SAFETY.**
- **DO NOT ALLOW UNTRAINED OR UNQUALIFIED PERSONNEL TO OPERATE THIS EQUIPMENT.**
- **NEVER PERFORM SERVICE, CLEANING OR MAINTENANCE ON THIS UNIT WHILE CONNECTED TO A POWER SOURCE.**
- **NEVER USE HANDS OR FINGERS TO FEED PRODUCT INTO THE BOWL AREA, ALWAYS USE THE STOMPER OR PUSHER(1)* THAT IS PROVIDED WITH EACH MACHINE.**
- **DO NOT LEAVE THE MACHINE UNATTENDED WHILE IN OPERATION.**

NOTE:FOR ID NUMBERS REFER TO SCHEMATIC

I.- UNPACKING:

1.-WHILE UNPACKING THE MACHINE TAKE SPECIAL CARE IN REMOVING THE COMPONENTS AND MAKE SURE THAT ALL ARE ACCOUNTED FOR.

LOOK FOR THE FOLLOWING ITEMS:

- 1 COMPLETE GRINDING UNIT; INCLUDING HEAD (13), FEED SCREW (16), RING (20), KNIFE (18), AND PLATE (19).
- 1 STOMPER OR PUSHER (1).
- 1 PRODUCT TRAY (2).
- 4 SUPPORT LEGS (4) WITH RUBBER FOOT.(MODELS PG-12 AND PG-22)

II.- INSTALLATION:

1.-BEFORE CONNECTING TO THE POWER SOURCE FOLLOW THESE EASY ASSEMBLY AND PREPARATION STEPS:

A.- SCREW ON THE FOUR SUPPORT LEGS TO THE BOTTOM OF THE UNIT (ONLY FOR MODELS PG-12 AND PG-22)

B.- REMOVE RING (20) FROM HEAD BY ROTATING COUNTER CLOCKWISE, PULL OUT KNIFE (18), PLATE (19) AND WORM (16). ALSO UNSCREW THE KNOB (8) ON THE BOTTOM OF THE HEAD TO ALLOW REMOVAL OF GRINDING HEAD (13).

C.-WASH WITH AN APPROVED DETERGENT, RINSE AND DRY THE FOLLOWIN COMPONENTS: HEAD (13), WORM (16), RING (20), KNIFE (18), PLATE (19), STOMPER (1) AND TRAY (2).

D.- REASSEMBLE THE COMPONENTS THAT WERE REMOVED FOR WASHING IN REVERSE ORDER, TAKING CARE OF VERIFYING THAT THE SHARP END OF THE KNIFE FACES FORWARD, AND THAT THE NOTCH OF THE PLATE ALIGNS WITH THE PIN ON THE BOTTOM OF THE HEAD (SEE DETAIL "B").
WHEN TIGHTENING THE HEAD, RING TENSION SHOULD BE FIRM BUT NOT TOO TIGHT, USE ONLY HAND FORCE.

E.- INSTALL THE PRODUCT TRAY:

MODELS PG-12 AND PG-22: INSERT THE TONGUE UNDERNEATH THE TRAY INTO THE ELEVATED TAB ON TOP AND REAR OF THE UNIT, AT A SLIGHT ANGLE AND ROTATE THE TRAY UNTIL ALIGN IT WITH THE HEAD (13), THEN INSERT THE NECK OF THE TRAY INTO THE HEAD (SEE DETAIL "A").

F.- PLACE THE STOMPER (1) INTO THE SAFETY GUARD.

2.- PLACE THE GRINDER ON A FIRM AND CLEAN SURFACE THAT HAS ACCESS TO AN ELECTRICAL POWER SOURCE, AND BE SURE IT MEETS THE POWER REQUERIMENTS OF THE UNIT. (IF ANY QUESTIONS PLEASE CONTACT YOUR POWER LINE DEALER).

3.- INSURE THAT ALL LOCAL ELECTRICAL CODES ARE COMPLIED WITH.

4.-ROTATE THE THREADED SUPPORT LEGS TO OBTAIN A FIRM AND STABLE FOUNDATION ON THE SURFACE.

5.-AFTER INSURING THAT ALL PREVIOUS STEPS WERE FOLLOWED, CONNECT THE GRINDER TO THE POWER SOURCE, MAKING SURE THAT IT IS PROPERLY GROUNDED AND IF YOU HAVE ANY QUESTION, PLEASE CONTACT A QUALIFIED ELECTRICIAN.

III.- OPERATION:

IMPORTANT:

FOR THE FIRST TIME USAGE YOU MUST GRIND AT LEAST (5 POUNDS FOR MODELS M-32 OR 2 POUNDS FOR MODELS PG-12 AND PG-22) OF SCRAP CLEAN PRODUCT TO REMOVE ANY METALLIC OR FOREIGN DEBRIS.

THE NORMAL PROCEDURES TO OPERATE A GRINDER ARE AS FOLLOWS:

1.-TURN ON THE MACHINE. (**DO NOT LEAVE MACHINE UNATTENDED WHILE IN OPERATION**).

-
- 2.- PLACE PRODUCT ON THE REAR OF FEED TRAY (2).
 - 3.- SCOOP PRODUCT TOWARDS THE FEED OPENING AND LET IT FALL.

- 4.- IF NECESSARY PUSH THE PRODUCT DEEPER INTO THE NECK ONLY WITH THE PROVIDED STOMPER (1) **(DO NOT USE HANDS, FINGERS OR FOREIGN OBJECTS TO FEED PRODUCT INTO THE HEAD CHAMBER).**

IV- KEY ELEMENTS IN GRINDING QUALITY PRODUCT:

- IT IS NOT RECOMMENDED TO FORCE FEED PRODUCT INTO THE HEAD CHAMBER.
- ALWAYS INSURE THAT THE KNIFE AND PLATE ARE SHARP AND FREE OF FOOD DEBRIS.
- IT IS A GOOD IDEA TO USE THE KNIFE AND PLATE AS A SET.
- THE TENSION ON THE HEAD RING SHOULD BE FIRM BUT NOT TOO TIGHT. OVERTIGHTENING CAN LEAD TO EXCESSIVE FRICTION, MOTOR WEAR AND POOR PRODUCT APPEARANCE.

V- CLEANING:

ALWAYS UNPLUG OR DISCONNECT THE MACHINE FROM THE POWER SOURCE BEFORE ATTEMPTING CLEANING OR SERVICE.

ON A DAILY BASIS IT IS RECOMMENDED TO FOLLOW THESE STEPS:

- 1.- DISASSEMBLE MAIN COMPONENTS AS EXPLAINED BEFORE ON THE INSTALLATION SECTION.
- 2.- WASH ALL COMPONENTS WITH AN APPROVED DETERGENT.
- 3.- RINSE, DRY AND INSPECT ALL COMPONENTS FOR WEAR AND SHARPNESS.
- 4.- TO CLEAN CASE ENCLOSURE USE DAMP CLOTH WITH OR WITHOUT DETERGENT. NEVER HOSE DOWN OR SUBMERGE CASE ENCLOSURE IN WATER.
- 5.- REASSEMBLE THE MAIN COMPONENTS TAKING CARE TO ALIGN THE PIN (9) IN THE HEAD WITH THE NOTCH ON THE BOTTOM OF THE PLATE (19).

VI- MAINTENANCE:

ALWAYS UNPLUG OR DISCONNECT THE MACHINE FROM THE POWER SOURCE BEFORE ATTEMPTING CLEANING OR SERVICE.

- 1.- TO INSURE QUALITY PRODUCT, YOUR KNIFE AND PLATE MUST HAVE SHARP EDGES, REGULARLY REPLACE OR SEND FOR SHARPENING THESE COMPONENTS.
- 2.- RELUBRICATE THE THRUST WASHER (15) REGULARLY, INSPECT AND REPLACE WHEN NO LONGER SERVICEABLE.

**NOTE: A SYMPTOM OF A WORN THRUST WASHER IS:
TIGHTEN THE RING TOTALLY WITHOUT OBTAINING PROPER TENSION
BETWEEN PLATE (19) AND KNIFE (18).**

- 3.- THE GEAR BOX OF THIS GRINDER IS SEALED AND SHOULD BE SERVICED ONLY BY APPROVED TECHNICIAN, THE TRANSMISSION OIL SHOULD BE CHANGED AT LEAST EVERY TWO (2) YEARS OF NORMAL OPERATION.

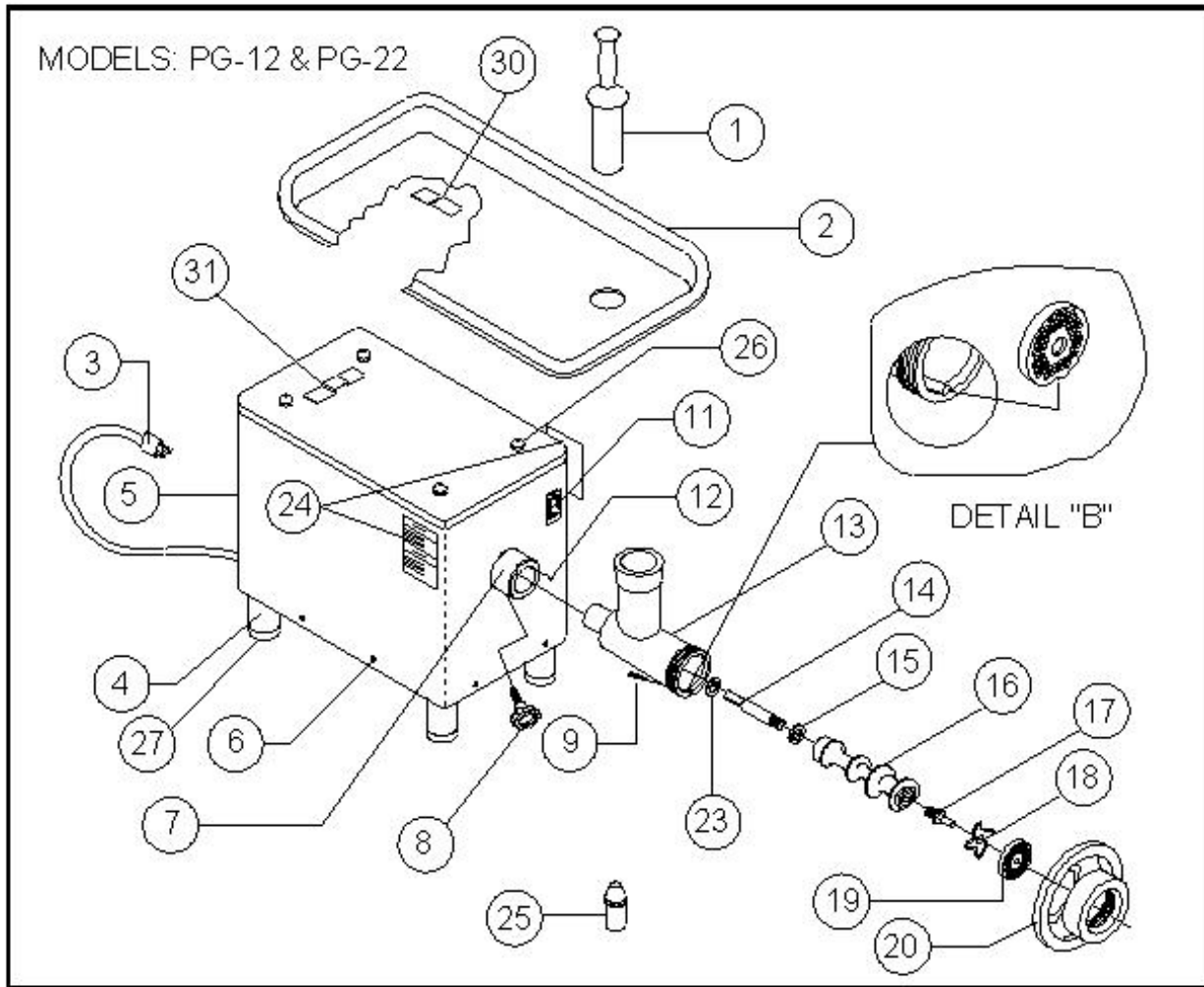
THANK YOU FOR SPENDING THE TIME TO READ THIS MANUAL.

IF THERE ARE ANY QUESTIONS PLEASE CONTACT POWERLINE EQUIPMENT

WEB SITE: www.powerlineequip.com

Tel. No. (1-203) 847-2357

Fax. No. (1-203) 847-6480



No.	DESCRIPTION	QTY.
1	STOMPER	1
2	STAINLESS STEEL TRAY	1
3	POWER CORD	1
4	3 3/4" ALUMINIUM LEG (PG-12)	4
4	4 3/4" ALUMINIUM LEG (PG-22)	4
5	STAINLESS STEEL CASE	1
6	STAINLESS STEEL SCREW 3/16" x 3/8"	8
7	GEAR BOX COVER	1
8	HEADSTOCK KNOB	1
9	GUIDE PIN 5/32" x 1 1/16"	1
11	SWITCH	1
12	STAINLESS STEEL GUIDE PIN 5/16" x 3/4"	1
13	HEADSTOCK	1
14	REAR ROD	1
15	NYLON WASHER	1
16	FEED SCREW (WORM)	1
17	FRONT ROD	1
18	KNIFE	1
19	PLATE	1
20	HEADSTOCK RING	1
23	BRONZE WASHER	1
24	WARNING DECAL	2
25	BOTTLE WITH FDA APPROVE GREASE	1
26	RUBER BUMPER	4
27	RUBER PLUG PAD	4
28	MOTOR 3/4HP SINGLE PHASE PG-12 (NOT SHOWN)	1
28	MOTOR 1 HP SINGLE PHASE PG-22 (NOT SHOWN)	1
30	"TONGUE"	1
31	"OMEGA"	1