

**Fast... Reliable...**

COMMERCIAL MICROWAVE OVEN

# Microwave Cooking

**Powerline heavy-duty microwave ovens offer powerful heating in a space saving design. Durable and stackable, these units offer fantastic, consistent performance for any high volume operation.**

## Key Features

- ◆ 1400 Watts of power for fast heating or defrosting of food.
- ◆ Ample 27 liter capacity easily accommodates a standard half-pan.
- ◆ Up to 200 programmable menu items simplifies cooking and ensures consistent results.
- ◆ Three stages cooking options for one-touch cooking. Reduces prep time, labor and food waste while providing consistent results
- ◆ 11 power levels for consistent, delicious results for frozen and fresh foods. Food can go from freezer to table in minutes.
- ◆ Unique method of energy distribution provides superior even heating throughout the cavity.
- ◆ User-friendly controls are easy to use and require minimal user training.
- ◆ Stackable to save valuable counter space.
- ◆ Interior ceramic shelf is sealed and recessed to help reduce plate breakage and to help contain spills.
- ◆ Interlock switch assembly is engineered for maximum durability and long life.
- ◆ X2 Multiple quantity pad calculates the proper cook times for multiple portions.
- ◆ Durable stainless steel exterior and interior for years of commercial foodservices use.
- ◆ Worldwide service network provides on going product support.



## A Powerful Oven That Provides:

- ◆ Superior even-heating for consistent, delicious results
- ◆ Constructed to withstand the foodservice environment
- ◆ Easy ownership, maximum efficiency and profits

## Consistently Fast

These heavy-duty microwaves will quickly cook or defrost. Ideal units for large restaurants, fast food, catering operations, and convenience stores.

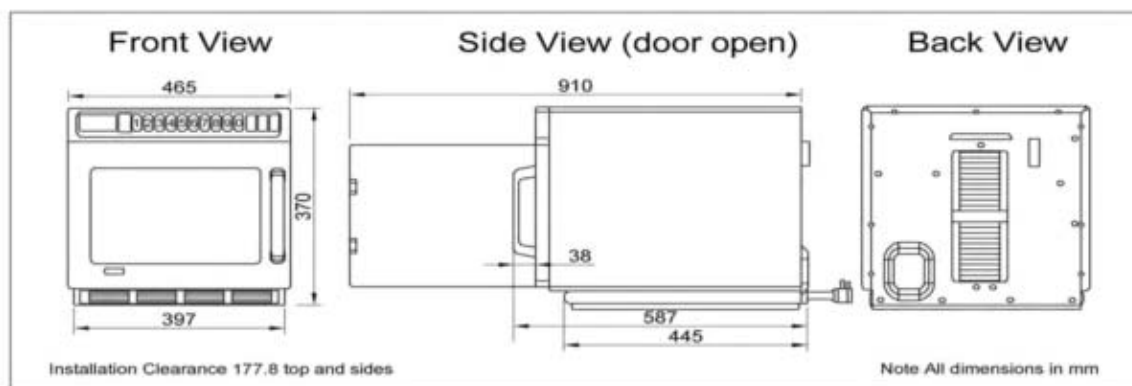
# Specifications

# PEC14E2

## 1400 Watts

COMMERCIAL MICROWAVE OVEN

Model	PEC 14 E2
Configuration	Countertop
Control System	Programmable Touch Pad
Number of Programmable Memory	200
Number of Programmable Stages	3
Exterior Construction	Stainless Steel
Interior Base	Static Ceramic
Removable Ceiling Cover	Yes
Air Filter	Yes
GastronormCompatible	2/3 GN
Internal Lamp	Yes
Display	LED
Stackable	Yes
Power Level :	Output (W) :
Level 5	1400
Level 4	980
Level 3	700
Level 2	280
Level 1	0
Exterior Dimensions	(Height) 370mm, (Width) 465mm, (Depth) 587mm
Cavity Dimensions	(Height) 199mm, (Width) 371mm, (Depth) 372mm
Door Depth	940mm, 90° + door open
Usable Cavity Space	27 liter
Frequency	2450 MHz
Interior Finish	stainless steel with sealed-in ceramics shelf
Power Consumption	2600 W
Power Output	1400 W Microwave
Number of Magnetrons	2
Power Source	230V, 50Hz, 1 phase; 230/60/1 available (model PEC14-60)
Container Quantity (40ft)	373
Product Weight	25 kg / 55 lbs.
Ship Weight	27 kg / 59.4 lbs.
Shipping Carton Size	(Height) 473mm, (Width) 556mm, (Depth) 625mm



*As continued product improvement is a policy of Powerline, specification are subject to change without notice*



For more information about any of our product, please visit our website at [www.powerlineequip.com](http://www.powerlineequip.com)

**Powerline Equipment Company**

Pulaski Street, Norwalk, CT 06851 USA Tel: 203-847 2357 Fax: 203-847 6480